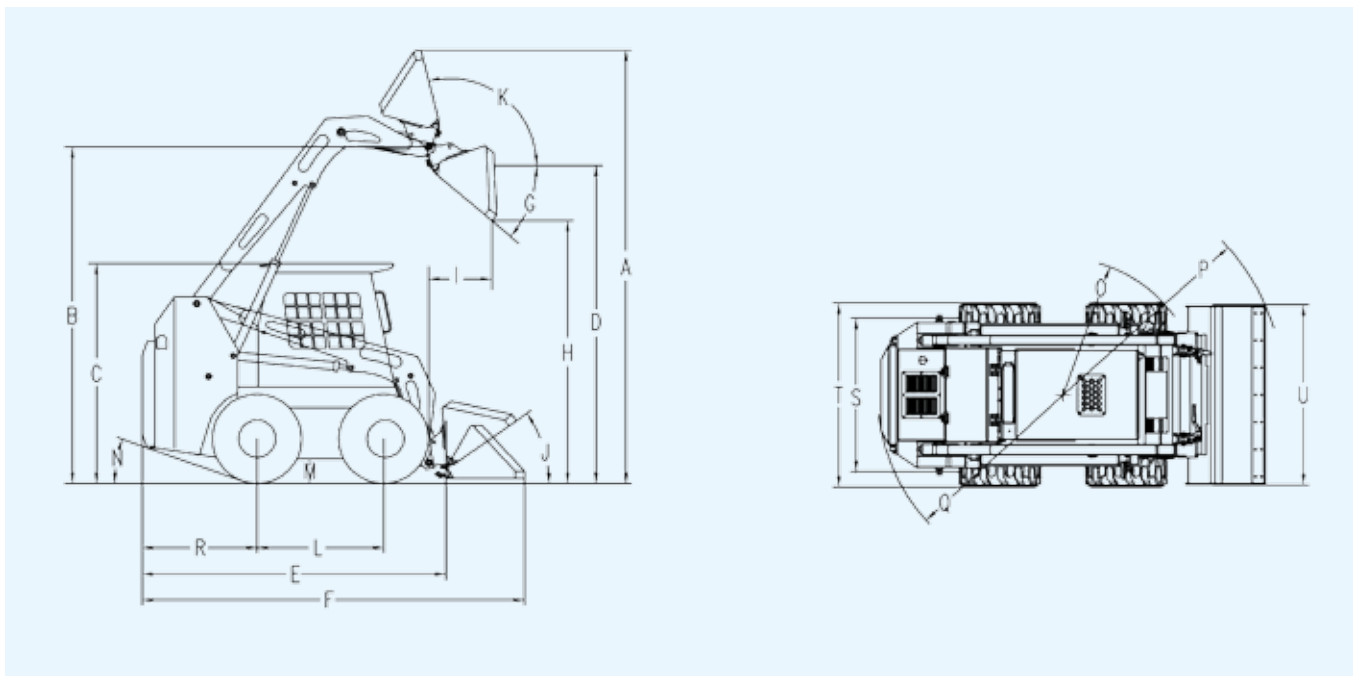


Item \ Model	JC35	JC40	JC45	JC45G	JC60	JC60G	JC65	JC70	JC75	JC95	TS50	TS100
Engine model	485	485	490	490	498	498	498T	498T	498T	226B	485	226B
Bore x stroke (mm)	85X95	85X95	95X105	95X105	98X105	98X105	98X105	98X105	98X105	105X130	85X95	105X130
Rated power (Kw)	30	30	37	37	45	45	55	55	55	70	30	70
Rpm	2650	2650	2650	2650	2500	2500	2450	2450	2450	2200	2650	2200
Number of cylinders	4	4	4	4	4	4	4	4	4	4	4	4
Max. torque (N.m)	136	136	156	156	193	193	245	245	245	380	136	380
Displacement (L)	2.156	2.156	2.67	2.67	3.168	3.168	3.168	3.168	3.168	4.5	2.156	4.5
Max.Speed (km/h)	8	10	12	12	12	12	12	12	12(8/16)	12	8	12/18
Tire (track) model	8.5-15	10-16.5	10-16.5	10-16.5	12-16.5	12-16.5	12-16.5	12-16.5	12-16.5	12-16.5	300X52.5	320X84
Loading Capacity (kg)	500	600	700	700	850	850	950	1000	1050	1200	700	1200
Lifting	Arc-Shaped Lifting											
Bucket capacity(m ³)	0.25	0.3	0.4	0.4	0.5	0.5	0.5	0.5	0.5	0.55	0.3	0.55
Rated flow(L/min)	40	60	75	75	75	75	75	75	75	88	40	88
High Flow(L/min)									115	122		122
tank capacity(L)	50	50	60	65	80	60	80	75	90	90	50	90
Weight with bucket(kg)	2200	2300	3100	3100	3150	3240	3350	3500	3500	3550	2800	4280



Item		Model											
		JC35	JC40	JC45	JC45G	JC60	JC60G	JC65	JC70	JC75	JC95	TS50	TS100
A	Height at Maximum Extension (mm)	3300	3350	3070	3980	3690	4000	4000	3690	4070	4070	3350	4070
B	Hinge Pin Height (mm)	2725	2775	2900	3080	2920	3100	3100	2920	3150	3150	2770	3150
C	Total Height (mm)	2000	2050	2050	2140	2080	2160	2160	2160	2160	2160	2050	2160
D	Height to bottom of bucket(mm)	2558	2608	2763	2913	2783	2933	2933	2753	2983	2983	2603	2983
E	Overall length without bucket (mm)	2300	2300	2640	2640	2640	2750	2750	2780	2880	2880	2300	3000
F	overall length with bucket(mm)	2950	3000	3420	3420	3440	3490	3490	3540	3580	3580	2950	3700
G	Dumping angle at maximum height(°)	40	40	40	40	40	40	40	40	40	40	40	40
H	Dumping height(mm)	2050	2100	2230	2380	2250	2400	2400	2250	2450	2450	2100	2450
I	Dumping reach(mm)	790	690	710	750	710	750	750	710	700	700	790	700
J	Rollback at ground position(°)	30	30	30	30	30	30	30	30	30	30	30	30
K	Rollback fully raised at max height(°)	104	104	104	104	104	104	104	104	104	104	104	104
L	Wheelbase(mm)	897	897	991	991	991	991	1085	1020	1115	1185	1240	1500
M	Ground clearance(mm)	140	185	185	185	205	205	205	205	205	205	140	200
N	Angle of departure(°)	20	20	20	20	20	20	20	20	20	20	20	20
O	Front turning radius without bucket(mm)	1098	1098	1168	1168	1198	1198	1204	1216	1250	1278	1064	1365
P	Front tuning radius(mm)	1760	1760	1958	1958	1958	1958	2030	2068	2112	2144	1825	2200
Q	Rear tuning radius(mm)	1296	1296	1630	1630	1728	1728	1706	1820	1774	1857	1264	1742
R	Rear length (mm)	964	964	1108	1108	1208	1208	1082	1082	1082	1082	594	938
S	Track width(mm)	1080	1120	1450	1450	1500	1500	1500	1500	1500	1500	1102	1654
T	Width (mm)	1350	1400	1720	1740	1880	1880	1880	1880	1880	1880	1402	1994
U	Bucket width (mm)	1400	1480	1740	1740	1880	1880	1880	1880	1880	1880	1500	2030

